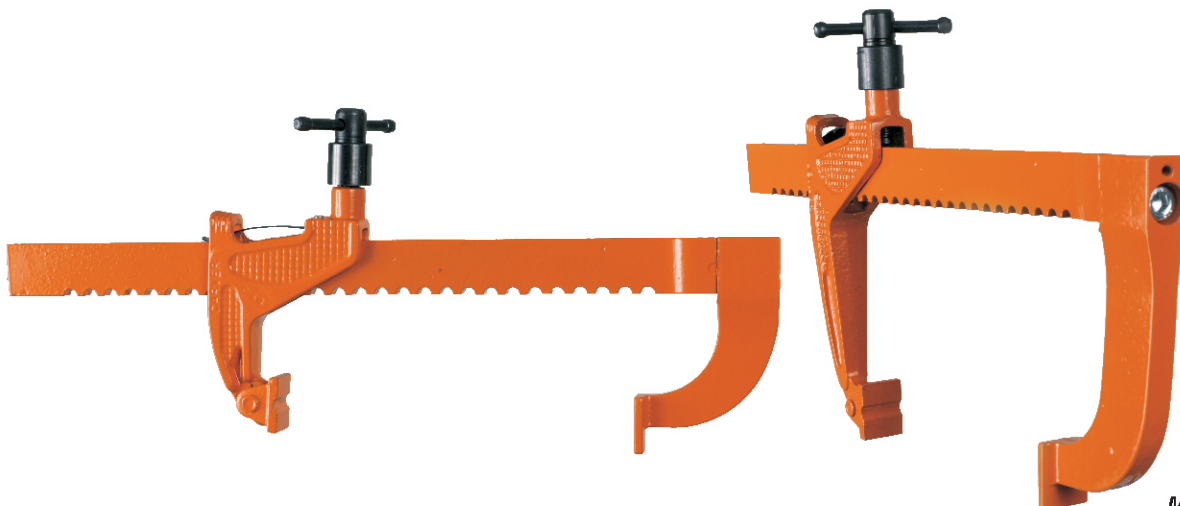


# CARVER MULTICLAMP



Carry your Carver Clamps  
Everywhere!

- Multiclamp 15mm - 300mm Standard / Long Reach.
- A combination of the three most popular Carver clamps.
- Multi-functional clamp with interchangeable heads and a dedicated carry case for easy transportation and storage.



CLAMPING FORCE: Standard Reach 850DaN; Long Reach 425DaN



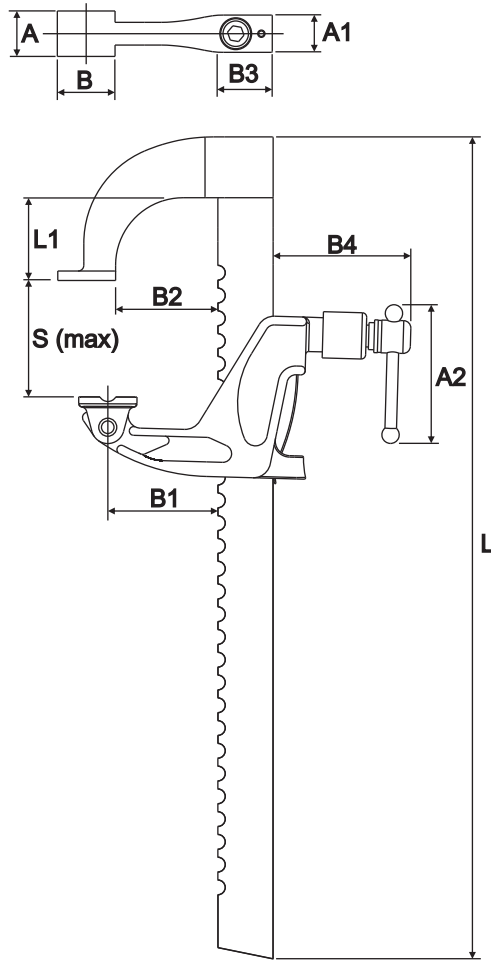
FM 59895



If you have a QR reader on your mobile phone,  
please visit our web site.

Manufactured in the UK





# CARVER CLAMPS

For tough jobs in engineering including

- Fabrication
- Welding
- Machining
- Maintenance
- Toolroom



## Technical Specification

CONFIGURATION	S	A	A1	A2	B	B1	B2	B3	B4	L	L1
STANDARD REACH	320	25	21.5	76	32	65	55	32	76	450	45
LONG REACH	320	25	21.5	76	32	120	106	32	76	450	45

WEIGHT: CASE + CLAMPS: 4.0Kg  
 SIZE: CASE: 420mm x 370mm x 110mm



# CARVER

*Our strength is in our name*

Carver and Co (Engineers) Ltd  
 St Mary's Road,  
 Nuneaton,  
 Warwickshire,  
 CV11 5AU.

Telephone: +44 (0)2476 377540

Fax: +44 (0)2476 388378

Email: sales@carver.co.uk

Web: www.carver.co.uk

**Your peace of mind**

Carver is an ISO registered company

A CARVER Group Company